



PRESSURE ACTUATED SWITCHES



Medium: Air
Inlet Pressure: 5 - 150 psig; 0.3 - 10.3 bar
Pilot Port: #10-32, 1/8" NPT, M5
Mounting: External thread and nut for panel, bracket, or bulkhead mounting,
 5/8 - 32 pressure actuated
 15/32-32 manually operated
Accuracy: Actuation and deactuation pressures listed are nominal values. Each has a tolerance of $\pm 12\%$ or 1 psig whichever is greater



SAS Sub-Miniature Air Switch
MAS Miniature Air Switch

Design Series

Switch Current Rating:

- SAS**
A 5A @ 125/250 VAC
 3A @ 30 VDC/.1A 60 VDC
X no switch
MAS
B 3A @ 125/250 VAC
 3A @ 30 VDC
C 10A @ 125/250 VAC
 5A @ 50 VDC
X no switch

Actuation Pressure*

- 06** 6 psig/0.4 bar
20 20 psig/1.4 bar
40 41 psig/ 2.8 bar
65 65 psig/4.5 bar
MN Manual

Deactuation Pressure*

- 06** 5 psig/0.3 bar
20 18 psig/1.2 bar
40 36 psig/2.5 bar
65 58 psig/ 4.0 bar
MN Manual

Inlet Port:

- Blank** #10-32 thd
F 1/8" NPT female
P 1/8" NPT male
M5 M5 x 0.8 thd

Switch Terminals:
SAS: 0 no switch
1 110 series Q.C.

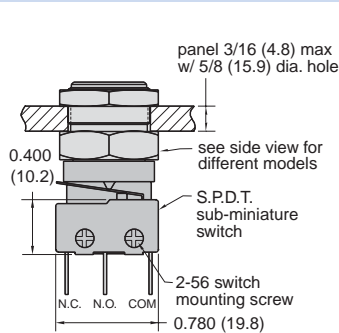
MAS: 0 no switch
2 187 series Q.C.
3 screw terminals

*Nominal value +/- 12% or 1psi, whichever is greater when used with Clippard switches

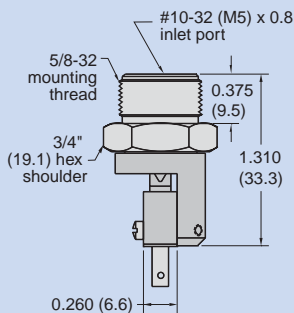
Pressure Actuated

Mechanically Actuated

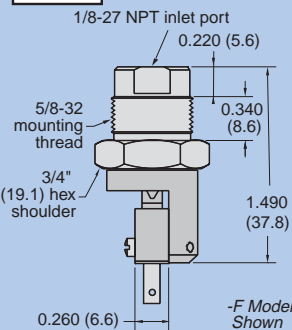
SAS Model



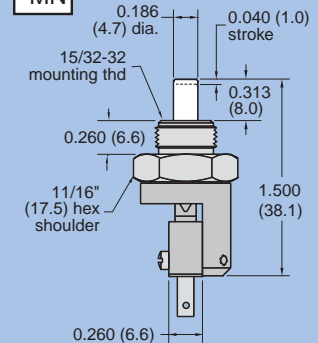
STD. & -M5



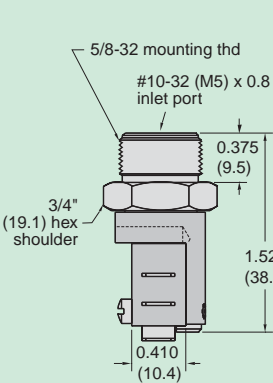
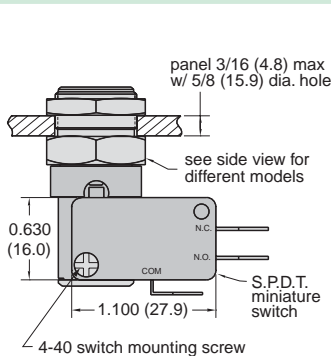
-F & -P



-MN



MAS Model



-F & -P

